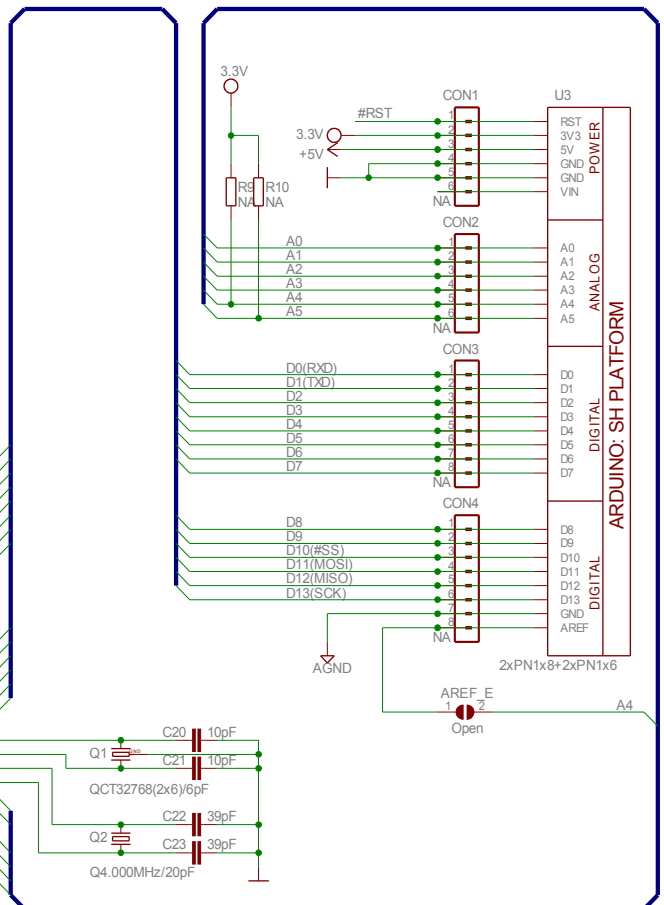
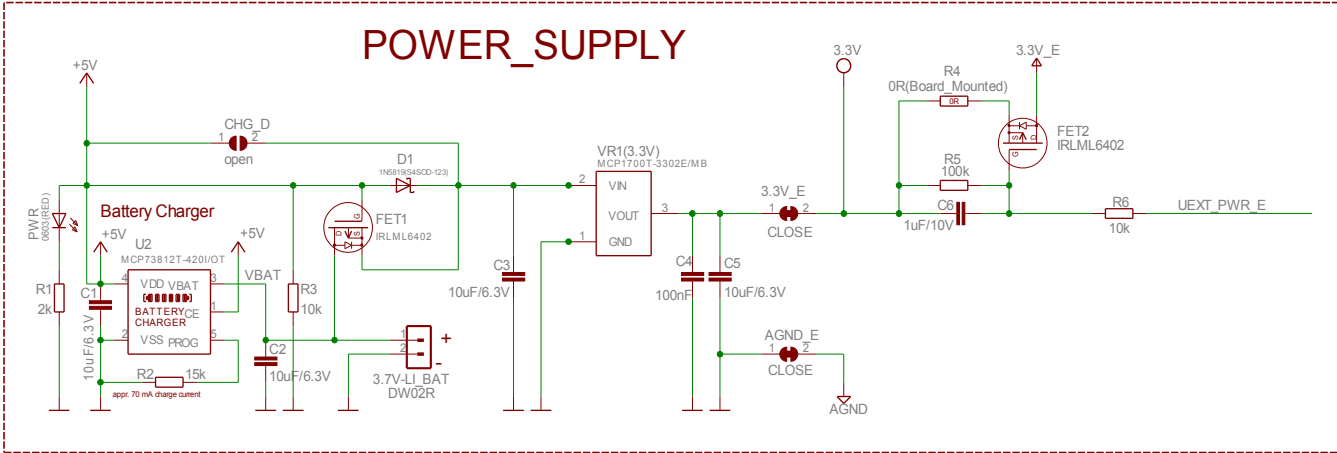
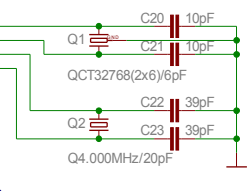
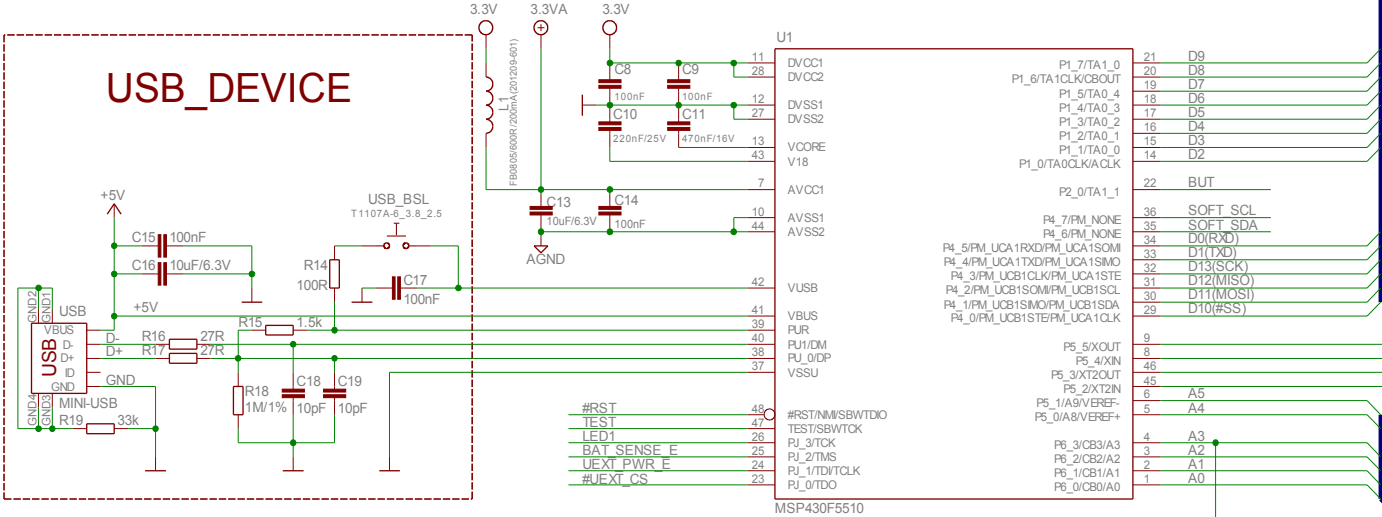


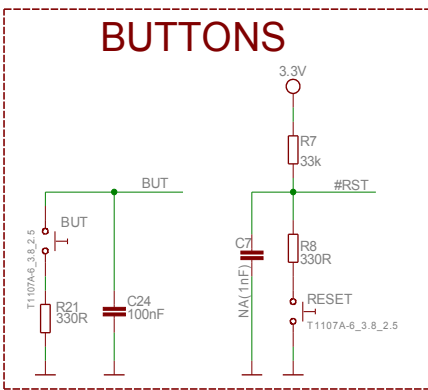
POWER_SUPPLY



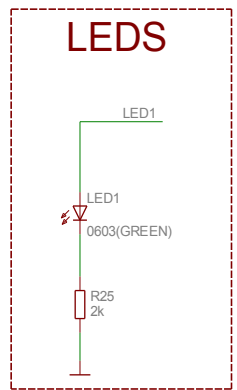
USB_DEVICE



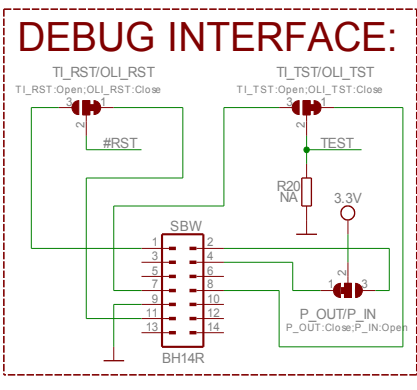
BUTTONS



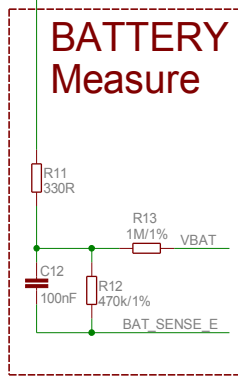
LEDS



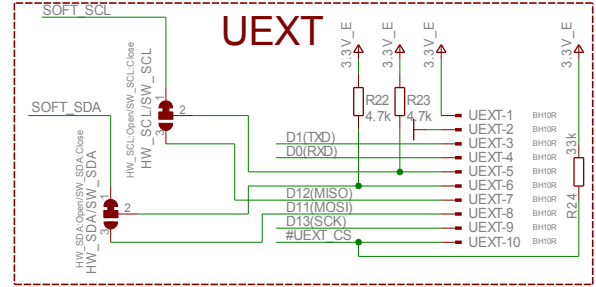
DEBUG INTERFACE:



BATTERY Measure



UEXT



OLIMEXINO-5510_Rev_B
 Designed by OLIMEX LTD. 2012
<http://www.olimex.com/dev/>