

1

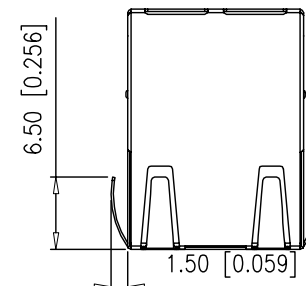
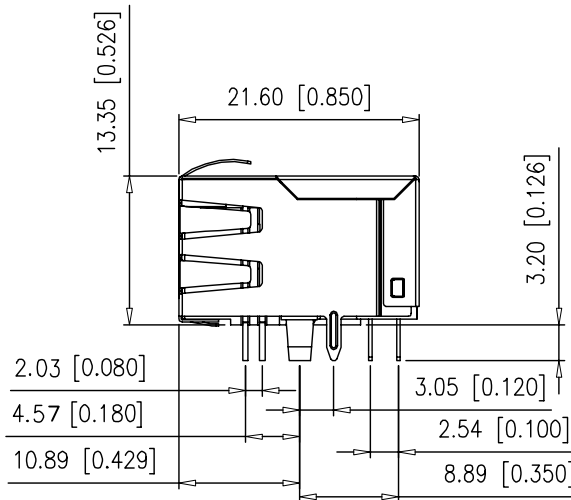
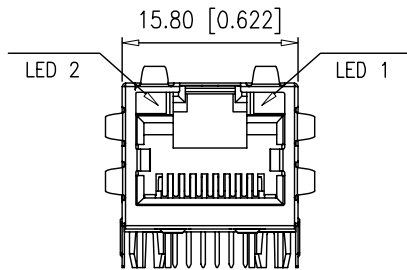
2

3

4

REV	ECN NO.	DATE

1. MECHANICAL DIMENSIONS :



RoHS Compliant

TOLERANCES 公差		DATE 日期	2011-03-11		TITEL 品名		带滤波器网络插座 千兆 口朝上	
mm	.0± 0.30 ±	MATERIAL 材质			PART NO. 料号		TM211Q01FM2	
	.00± 0.25 ±	FINISH 电镀			Checked 审核		Approved 核准	
	.000± 0.10 ±	SCALE 比例	1:1	UNIT 单位	mm	SIZE A4		SHEET 1 OF 3
ANGLES ± 1°		THIRD ANGLE PROJECTION		Designed 设计	张旺新			

1

2

3

4

A

A

B

B

C

C

D

D

1

2

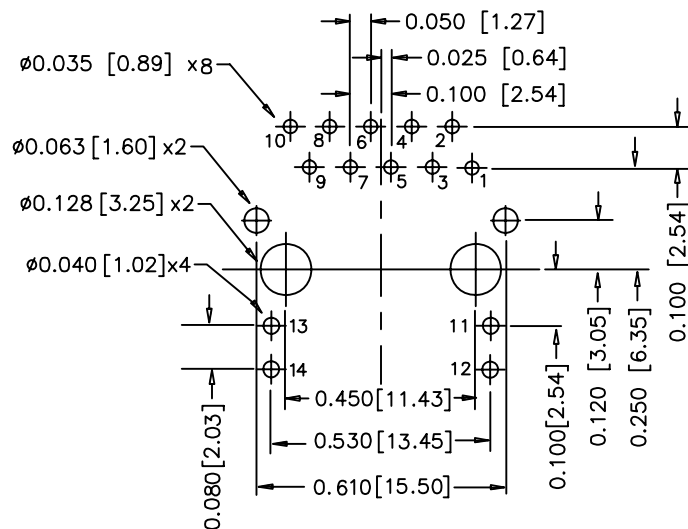
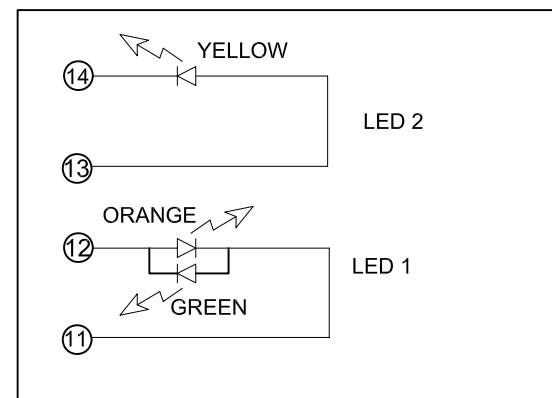
3

4

REV	ECN NO.	DATE

2. PCB LAYOUT :

3. LED CONFIGURATION :

SUGGESTED PCB LAYOUT

RoHS Compliant

TOLERANCES 公差		DATE 日期	2011-03-11		TITEL 品名		带滤波器网络插座 千兆 口朝上	
mm	.0± 0.30 ±	MATERIAL 材质			PART NO. 料号		TM211Q01FM2	
	.00± 0.25 ±	FINISH 电镀			SCALE 比例		1:1	
	.000± 0.10 ±	ANGLES ± 1°	UNIT 单位	mm	Checked 审核	SHEET 2 OF 3		SIZE A4
 THIRD ANGLE PROJECTION		Designed 设计	张旺新		Approved 核准			

1

2

3

4

1

2

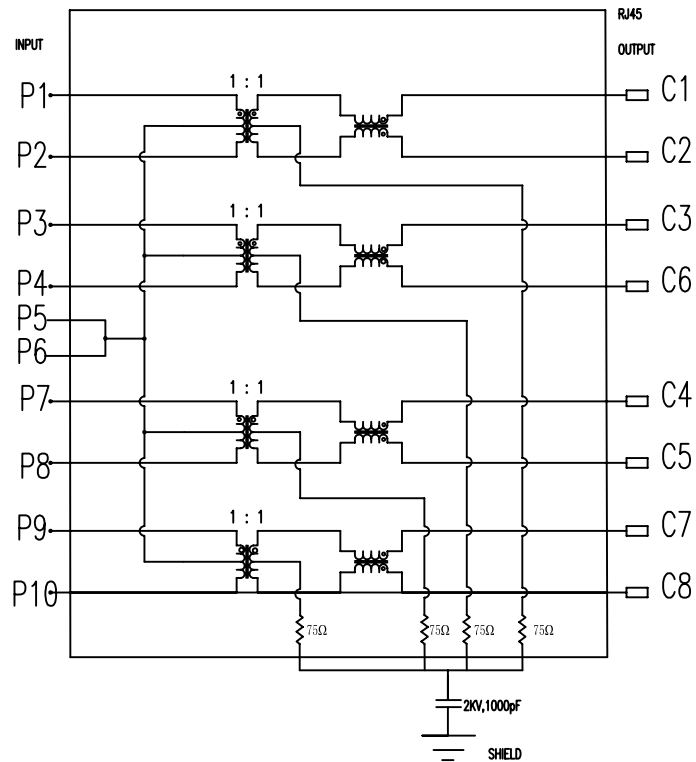
3

4

REV	ECN NO.	DATE

4. SCHEMATIC :

5. NOTES:



ELECTRICAL:

CURRENT RATING: 1.5A
 VOLTAGE RATING: 125V AC
 INSULATION RESISTANCE: 500MΩ Mini
 WITHSTAND VOLTAGE: AC 1500 V RMS 50Hz OR 60Hz 1 Min
 CONTACT RESISTANCE: 20mΩ Max

MECHANICAL:

INSERTION FORCE: 2 CONTACTS----350g 4 CONTACTS----500g
 6 CONTACTS----750g 8 CONTACTS----900g
 10 CONTACTS----1050g
 RETENTION STRENGTH: 7.7Kg BETWEEN JACK AND PLUG
 DURABILITY: 750 MATING CYCLES Mini

MATERIAL:

HOUSING: 1) GLASS FILLED PA66 (UL 94V-0)
 2) GLASS FILLED PA46 (UL 94V-0)
 3) GLASS FILLED PBT (UL 94V-0)
 SPRING WIRE: 1) 0.45*0.35mm DIA PHOSPHOR BRONZE GOLD PLATING OVER NICKEL
 2) 0.35mm THICKNESS PHOSPHOR BRONZE ALLOY SELECTIVE GOLD PLATING OVER NICKEL
 SHIELDING: 0.20mm THICKNESS COPPER ALLOY WITH TIN PLATED
 GOLD PLATING: 3u", 6u", 15u", 30u", 50u"
 WORKING TEMPERATURE: -40c-70c

ELECTRICAL SPECIFICATIONS AT 25 °C

Insertion Loss dB max	Return Loss dB min			Crosstalk(db TYP)			Common Mode Rejection (dB TYP)		Hipot(vrms)
	1-30MHz	30- 60MHz	60- 80MHz	1-30MHz	30- 60MHz	60- 80MHz	1-50MHz	50-100MHz	
-1.0	-18	-16	-12	-25	-25	-25	-30	-30	1500

RoHS Compliant

TOLERANCES 公差		DATE 日期	2011-03-11		RoHS Compliant			
mm .0± 0.30	±	MATERIAL 材质			TITEL 品名	带滤波器网络插座 千兆 口朝上		
.00± 0.25	±	FINISH 电镀			PART NO. 料号	TM211Q01FM2		SIZE A4
.000± 0.10	±	SCALE 比例	1:1	UNIT 单位	mm	Checked 审核	Approved 核准	SHEET 3 OF 3
ANGLES ± 1°		Designed 设计	张旺新					
THIRD ANGLE PROJECTION								

1

2

3

4