

AVR-P40-8515 development board _____

Users Manual



All boards produced by Olimex are ROHS compliant

Revision A, January 2002
Copyright(c) 2009, OLIMEX Ltd, All rights reserved

INTRODUCTION:

The **AVR Microcontroller** are low-power CMOS 8-bit controller based on the RISC architecture. The AVR core combines a rich instruction set with general purpose working registers. All the registers are directly connected to the Arithmetic Logic Unit (ALU), allowing two independent registers to be accessed in one single instruction executed in one clock cycle. The resulting architecture is more code efficient while achieving throughputs up to ten times faster than conventional CISC microcontrollers.

AVR-P40-8515 is prototype board for 40 pin AVR microcontrollers with STKxxx compatible 10 pin ICSP connector. Supported diveces are AT90S8515 and pin compatible microcontrollers.

BOARD FEATURES:

- ICSP 5x2 pin connector for in-circuit programming with AVR-ISP500xxx, AVR-PG1 or AVR-PG2
- Voltage regulator +5V, 7805 and filtering capacitors
- Quartz crystall oscilator circuit 8Mhz
- reset IC ZM33064
- status LED connected to PB0 via removable jumper
- Power plug-in jack
- DIL40 microcontroller socket
- RS232 DB9 female connector
- RS232 MAX232 interface circuit with Tx, Rx, CTS, DTR/RTS signals
- Extension slot on every uC pin
- Grid 100 mils
- GND bus
- Vcc bus
- FR-4, 1.5 mm (0.062"), green soldermask, white silkscreen component print
- four mounting holes 3.3 mm (0.13")
- dimensions 100x80 mm (3.9x3.15")

ELECTROSTATIC WARNING:

The AVR-P40-8515 board is shipped in protective anti-static packaging. The board must not be subject to high electrostatic potentials. General practice for working with static sensitive devices should be applied when working with this board.

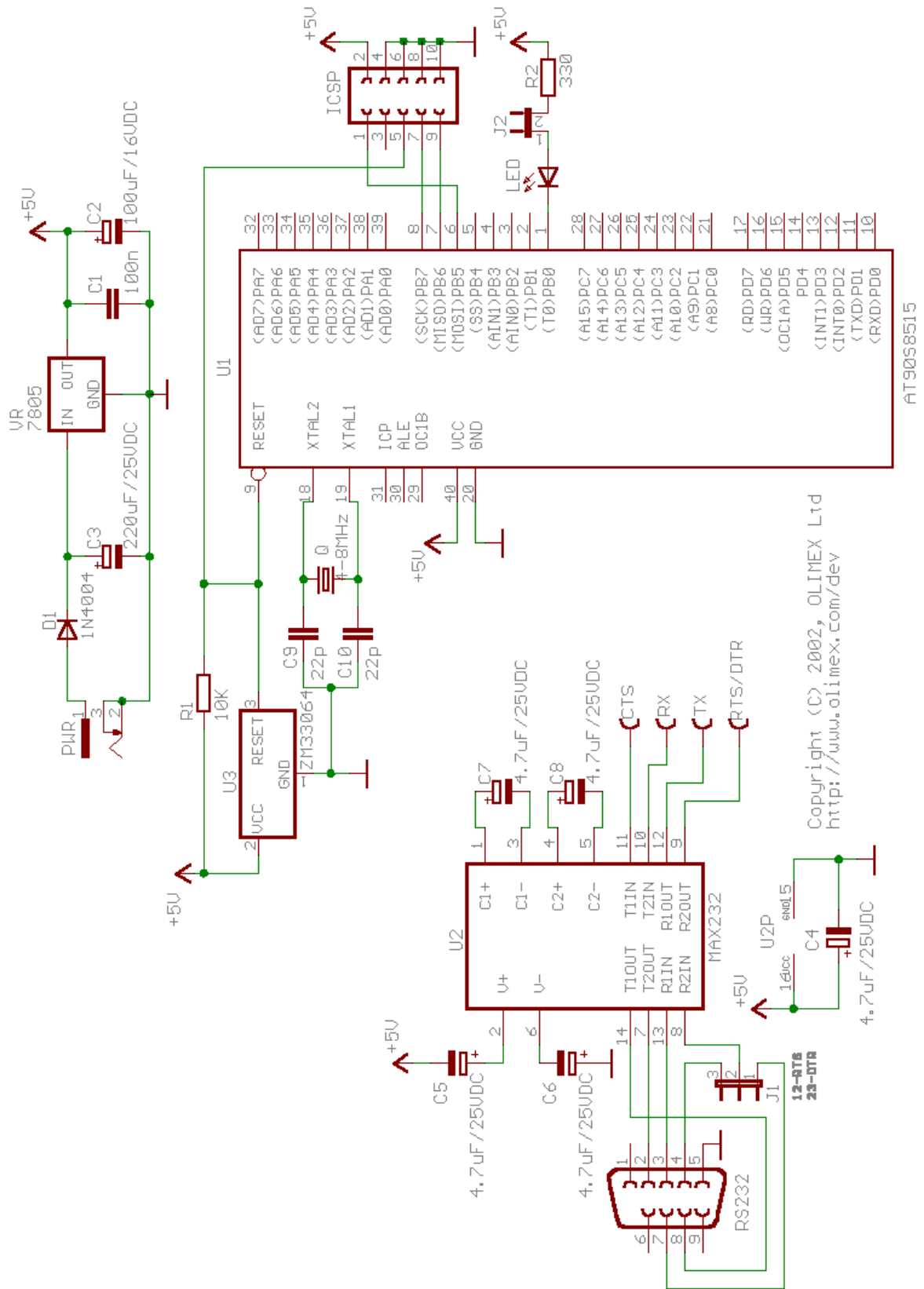
BOARD USE REQUIREMENTS:

Cables: The cable you will need depends on the programmer/debugger you use. If you use [AVR-PG1](#), you will need RS232 cable, if you use [AVR-PG2](#), you will need LPT cable, if you use [AVR-ISP500](#), [AVR-ISP500-TINY](#) or [AVR-ISP500-ISO](#), you will need 1.8 meter USB A-B cable.

Hardware: Programmer/Debugger – one of the Olimex AVR Programmers: AVR-PG1, AVR-PG2, AVR-ISP500, AVR-ISP500-TINY, AVR-ISP500-ISO.

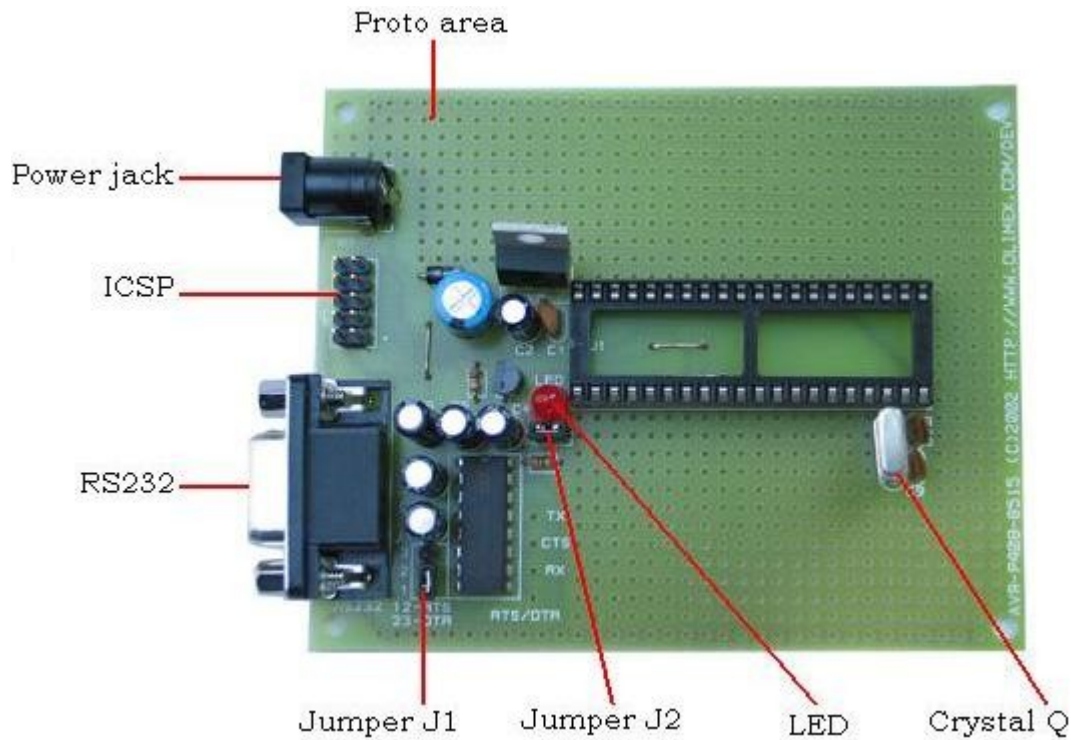
Software: The serial port ICSP programmer (AVR-PG1B) works with PonyProg software by from Claudio Lanconelli and the latest release may be download for free from <http://www.lancos.com>. The parallel port ICSP programmer (AVRPG2B) works with AVR ISP from Atmel and may be download for free from Atmel's web site.

SCHEMATIC:



Copyright (C) 2002, OLIMEX Ltd
<http://www.olimex.com/dev>

BOARD LAYOUT:



POWER SUPPLY CIRCUIT:

AVR-P40-8515 is typically power supplied with min 9.0V DC max 12.0V DC, or min 6.0V AC max 9.0V AC.

RESET CIRCUIT:

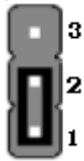
AVR-P40-8515 reset circuit includes pin 5 of ICSP connector, pin 9 of U1 and Reset scheme.

CLOCK CIRCUIT:

Quartz crystal (4-8)MHz is connected to AVR Microcontroller pin 18 (XTAL2) and pin 19 (XTAL1).

JUMPER DESCRIPTION:

J1



When 1-2 are shorted - RTS is connected to terminal pin RTS/DTR.
When 2-3 are shorted - DTR is connected to terminal pin RTS/DTR.
Default state is 1-2.

J2



When this jumper is open - LED is not on.
When this jumper is closed - LED is on.
Default state is closed.

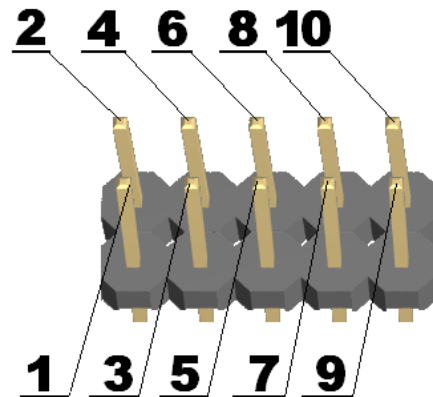
INPUT/OUTPUT:

Status Led with name **LED (red)** - this led is connected to PIN11 (PB0/T0) .

CONNECTOR DESCRIPTIONS:

ICSP:

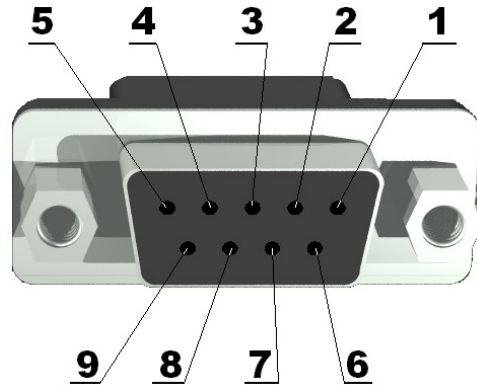
PIN #	Signal Name	Functionality
1	MOSI	PB5 / MOSI
2	+5V	Supply
3	Not connected	-
4	GND	Ground
5	RST	RESET
6	GND	Ground
7	SCK	PB7 / SCK
8	GND	Ground
9	MISO	PB6 / MISO
10	GND	Ground



The **ICSP** connector is 2x5 pin with 0,1" step and Atmel STKxxx compatible layout. The PIN.1 is marked with square pad on bottom and arrow on top.

RS232:

PIN #	Signal Name
1	Not connected
2	RXD
3	TXD
4	DTR
5	GND
6	Not connected
7	RTS
8	CTS
9	Not connected

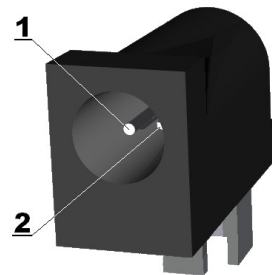


Note1: RTS and DTR is connected to terminal pins via jumper J1, which position was described above.

Note2: RX RS232 driver pins have to be connected to AVR microcontroller pin - TXD/PD1 (PIN 11).
TX RS232 driver pins have to be connected to AVR microcontroller pin - RXD/PD0 (PIN 10).

PWR:

PIN #	Signal Name
1	Power Input
2	GND



AVAILABLE DEMO SOFTWARE:

- AVR-P40-8515 + AT90S8515 blink LED demo code ([C source](#) and [HEX](#))
- AVR-P40-8515 + AT90S8515 UART demo code ([C source](#) and [HEX](#))

ORDER CODE:

AVR-P40-8515-8MHZ completely assembled and tested with 8Mhz oscillator
AVR-P40-8515/PCB ONLY

How to order?

You can order to us directly or by any of our distributors.

Check our web www.olimex.com/dev for more info.

Revision history:

REV.A - created January 2002

Disclaimer:

© 2009 Olimex Ltd. All rights reserved. Olimex®, logo and combinations thereof, are registered trademarks of Olimex Ltd. Other terms and product names may be trademarks of others.

The information in this document is provided in connection with Olimex products. No license, express or implied or otherwise, to any intellectual property right is granted by this document or in connection with the sale of Olimex products.

Neither the whole nor any part of the information contained in or the product described in this document may be adapted or reproduced in any material from except with the prior written permission of the copyright holder.

The product described in this document is subject to continuous development and improvements. All particulars of the product and its use contained in this document are given by OLIMEX in good faith. However all warranties implied or expressed including but not limited to implied warranties of merchantability or fitness for purpose are excluded.

This document is intended only to assist the reader in the use of the product. OLIMEX Ltd. shall not be liable for any loss or damage arising from the use of any information in this document or any error or omission in such information or any incorrect use of the product.